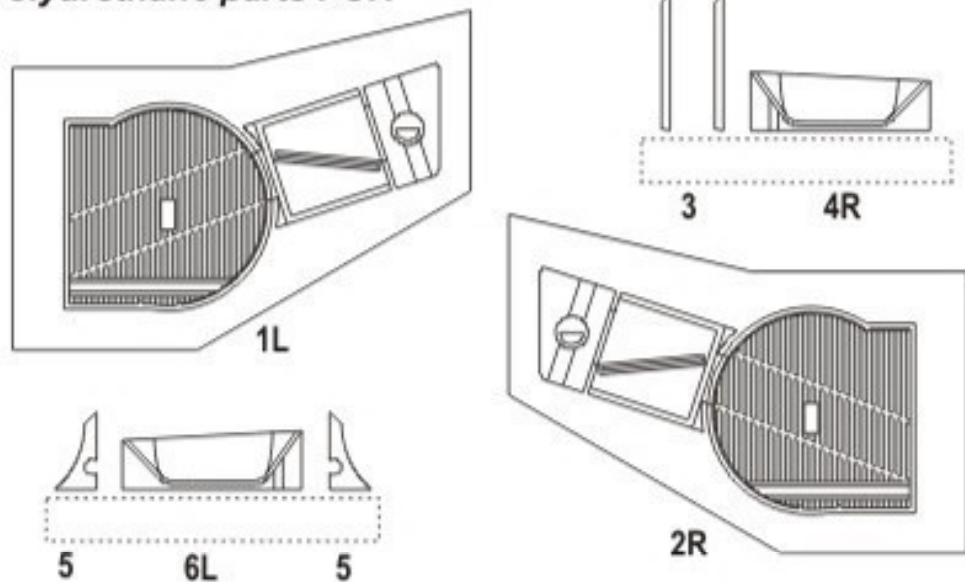


5030**P-39 Airacobra****1/32**

undercarriage set for Special Hobby kit

Visit an official website and e-shop at

www.cmkkits.com**Polyurethane parts PUR**

Díly ohnuté popř. pokroucené vlivem teplotních změn a stárnutí materiálu, mohou být narovnány do požadovaného tvaru pomocí proudu teplé vody nebo vzduchu (fén na vlasy). Různé drátky a tyčinky nejsou přiloženy.

K lepení použijte kyanoakralátové lepidlo.

Kontaktní plochy doporučujeme před lepením odmastit.

Parts slightly distorted and bended owing to temperature changes or due to material ageing can be straightened to requested shape by hot water or hot air jet. (hair dryer). Wires and holes not included. This process can be repeated till result is entirely satisfactory.

For best results gluing use cyanoacrylate glue. Contact areas ungrease is recommended before gluing

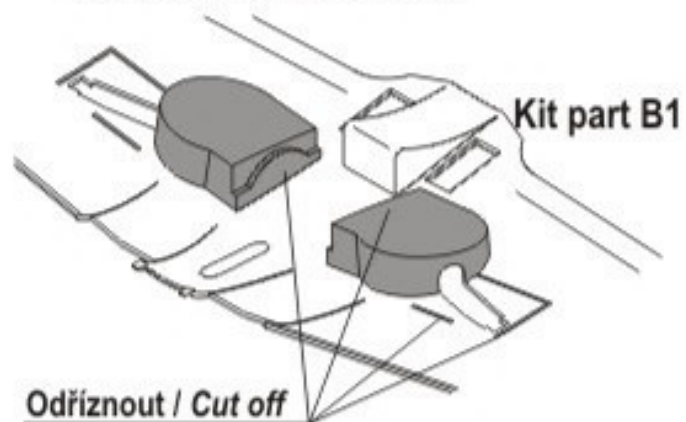
 **NEW ITEMS SETS 1/32**

- | | |
|--|--|
| 5001 A6M5 Zero - exterior set for Tamiya | 5012 He 162A-2 Salamander - armament set for Revell |
| 5002 A6M5 Zero - detail set for Tamiya | 5013 He 162A-2 Salamander - engine set for Revell |
| 5003 A6M5 Zero - armament set for Tamiya | 5015 Me 163B Komet - interior set for Hasegawa |
| 5004 F6F-3/5 Helcat - interior set for Hasegawa | 5017 Me 262A Schwalbe - undercarriage set for Trumpeter |
| 5004 P-40B Hawk - interior set for Trumpeter | 5019 Bomb trolley for Ju 87 and Fw 190 |
| 5009 He 162A-2 Salamander - interior set for Revell | 5021 A6M2 model 21 Zero - wing flaps set for Tamiya |
| 5010 He 162A-2 Salamander - control surfaces set for Revell | 5022 A6M5 Zero - undercarriage set for Tamiya |
| 5011 He 162A-2 Salamander - undercarriage set for Revell | 5029 P-39 Airacobra - engine set for Special Hobby |

BARVY / COLORS**HUMBROL**
 Interiérová zelená / Interior green

151

1 Úprava dílů stavebnice /
Kit parts adjustment



2 Sestavení šachet podvozku / Main Wheel bays assembly

